

1023320011

ZIPS-C

Zenitel IP Speaker, Ceiling



- ✓ Zenitel Audio Presence - crystal clear audio
- ✓ Steel fire dome
- ✓ 105 dBA max SPL (1m)
- ✓ Speaker as Microphone technology
- ✓ Ideal for Micro Zone PA and systems that require a limited number of speakers
- ✓ Each speaker is individually addressable and monitored
- ✓ ONVIF Compatible
- ✓ Ideal for speakers installed in remote locations, e.g. roads and railways
- ✓ Remote software upgrade and configuration
- ✓ Relay output for remote control, e.g. doors, signal lamps, gates
- ✓ Powered from the IP network cable using Power over Ethernet (PoE)
- ✓ Ideal for Building Security, Infrastructure and Industrial projects



SIP

IC-EDGE

IC-Edge



ICX-AlphaCom



Automatic Volume



HD Voice



Automatic Gain Control

Network

Description

The ZIPS Ceiling Speaker features a Class D amplifier with dynamic power handling, optimising its performance for both voice and multimedia signals. This enables the speaker to deliver up to 105 dB SPL peak (1 kHz at 1m) and 101 dB SPL (1m) for continuous signals. Designed for discreet audio delivery, the ceiling speaker is ideal for indoor environments and can be mounted in cut-outs in tiles or plasterboard.

The integrated speaker-as-microphone technology supports two-way communication, ambient listening, automatic volume control, and more – all through the speaker itself.

With IP technology, the system can monitor and manage each speaker individually. By moving the amplifier from a central unit to the speaker itself, the need for a central amplifier and conventional speaker loops is eliminated. This makes the system highly scalable, allowing additional speakers to be easily added.

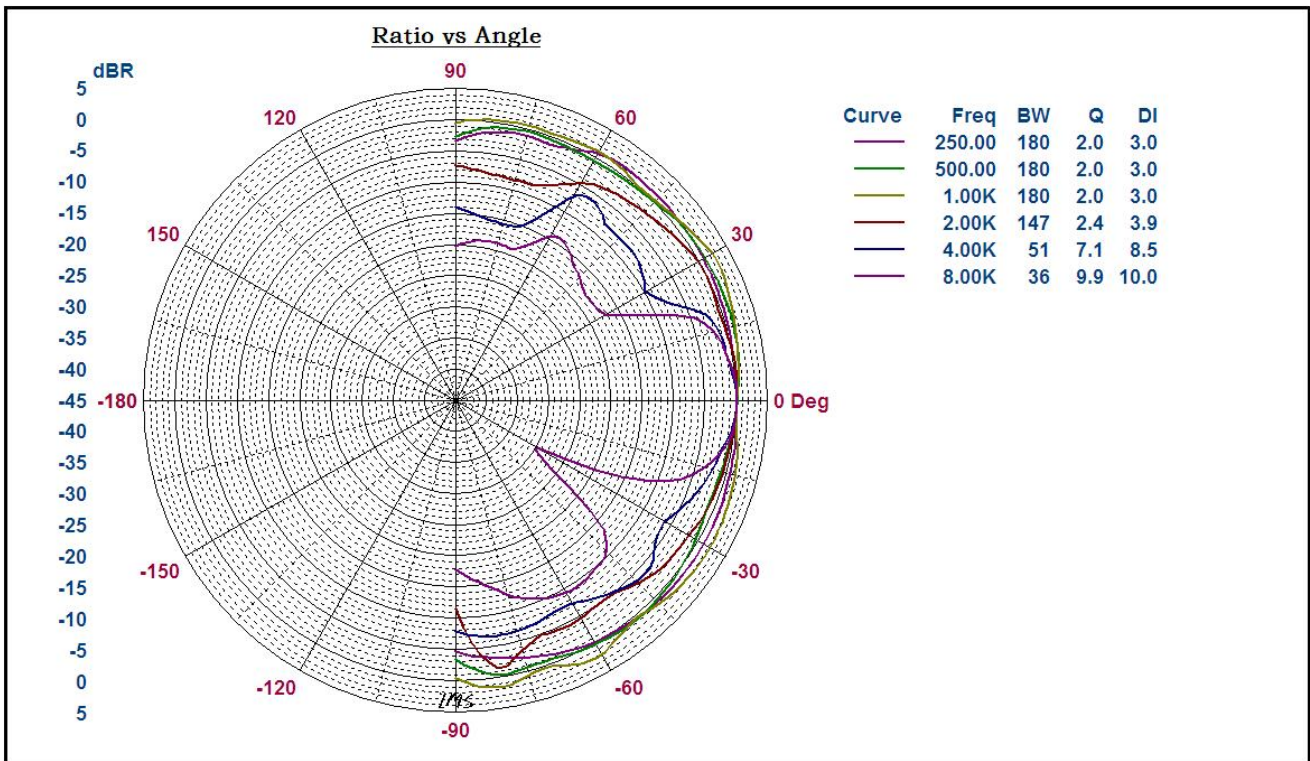
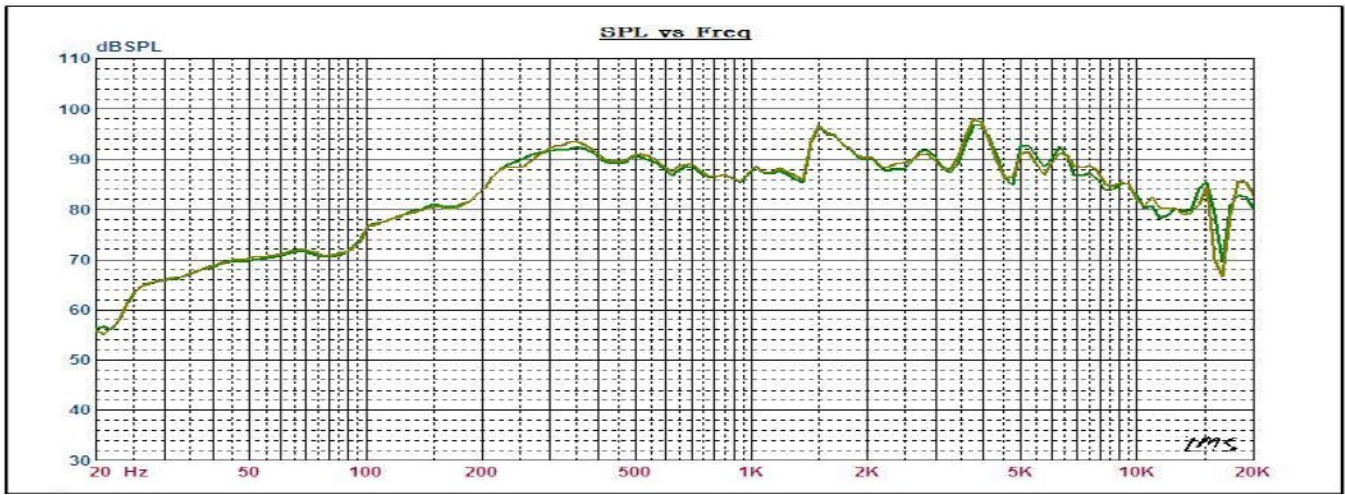
Although conventional speaker loops are not utilised, the speakers can still be grouped into zones, which can extend across networks or even over the Internet.

To ensure maximum reliability, the speaker is equipped with advanced supervision features. It is self-monitoring and capable of detecting faults in the network or speaker electronics. The status is reported to the central unit as well as to third-party management systems via SNMP or Syslog.

The speaker is also auto-discoverable and can receive messages or provide talkback functionality directly to a VMS using ONVIF.

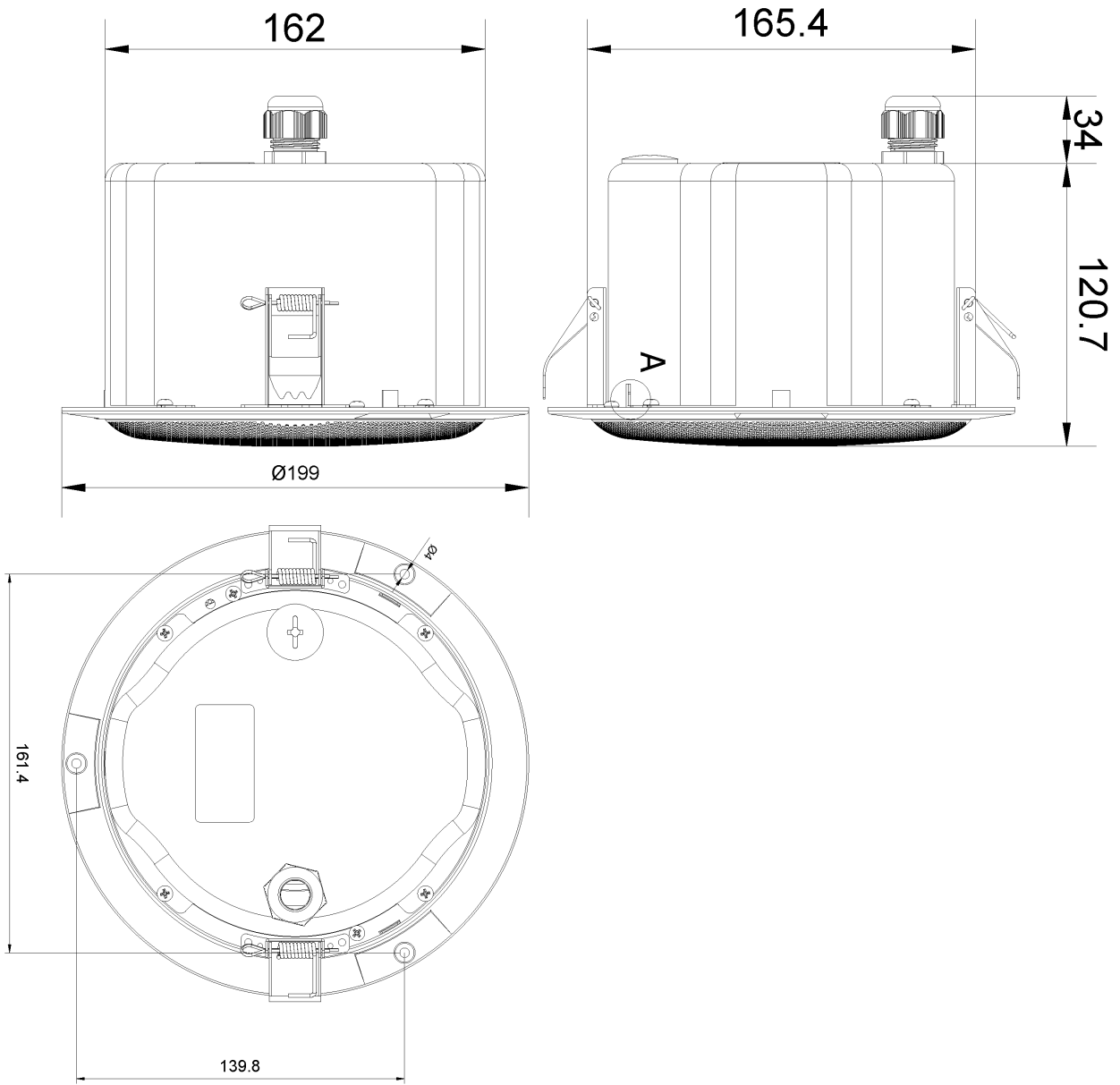
With a built-in web interface for status monitoring, control, and upgrades, the speaker is easy to install and maintain. Additionally, broadcasts

Polar Plot:



Map	21: PolarConv F= 250.0000 25: PolarConv F= 4.0000K 22: PolarConv F= 500.0000 26: PolarConv F= 8.0000K 23: PolarConv F= 1.0000K 24: PolarConv F= 2.0000K							
	<table border="1"> <tr> <td style="width: 50%;">Notes</td> <td style="width: 50%;"></td> </tr> <tr> <td></td> <td></td> </tr> <tr> <td></td> <td></td> </tr> <tr> <td></td> <td></td> </tr> </table>	Notes						
Notes								
LMS 4.6.0.371 七月-09-2022	Person: Company:	Project: File: PF-6B53V2.lib	Jul 13, 2022 Wed 2:43 pm	LINEAR X S Y S T E M S				

Technical Dimensions



Specifications

GENERAL

Codecs	G.711, G.722
Frequency range, G.722 Codec	200 Hz – 7000 Hz
Frequency range (speaker driver)	250 - 10000 Hz
Continuous SPL (6dB Crest factor)	101 dBA
Max SPL @ 1kHz/1m	105 dBA
Output Power (Continuous/Peak)	7.5W/30W
IP Rating	IP-54, tested according to EN 60529
Dimensions (diameter x depth)	199 x 146 mm
Weight	1.2 kg / 3 lbs
Mounting	Hooks / fasteners (included)
Material / Color	Steel / RAL 9010 (white)
Electronics cover material	ASA (plastic)
Boxed Shipping weight	1.85 kg
Boxed Shipping dims (Width x Height x Depth)	230 x 230 x 180 mm

NETWORKING AND PROTOCOLS

Protocols	IPv4 (with DiffServ), SIP, TCP, UDP, HTTPS, TFTP, RTP, DHCP, SNMP, ONVIF, CCoIP®, NTP
LAN protocols	Power over Ethernet (IEEE 802.3 a-f) Network Access Control (IEEE 802.1x)
Management and operation	HTTP/HTTPS (Web configuration) DHCP and static IP + IC-EDGE. Remote automatic software upgrade. Centralized monitoring
Advanced supervision functions	E.g. network test, tone test, status reports
SIP support	RFC 3261 (SIP base standard), RFC 3515 (SIP refer), RFC 2976 (SIP info)
DTMF support	RFC 2833, 2976 (SIP info)

HARDWARE

Ethernet connector	1 x RJ 45
All other connectors	Tool less, spring loaded, vibration proof terminals
General inputs and outputs	1x GPIO; 1x mic/line input
Output	12mA as LED drivers
Change-over relay (NO+COM)	48V nominal, max. 100VDC, 70VAC
Power options	PoE
PoE (power over Ethernet)	IEEE 802.3af standard, Class 3 (6.49W to 12.95 W)
Power consumption	Idle 1.8W, max 12W (depending on Output Volume)
Secondary speaker line out	8 Ohm

ENVIRONMENT AND COMPLIANCES

Operating temperature range	-40° to 70° C / -40° to 158 ° F
Storage temperature range	-40° to 70° C / -40° to 158 ° F
Relative humidity	< 95% not condensing
EMC	CE and FCC Part 15

OTHER SPECIFICATIONS

System boot time	Under 10 seconds
IP address information	Speaks IP address after system boot (requires connected loudspeaker)
Country of manufacture	Norway
DIN-rail clips	Wago 209 (included)
Warranty	2 Years standard warranty, extendible up to total of 5 years (additional fee)