

1023322330

ZIPS-WC

Zenitel IP Speaker - Wallmount Cabinet



- ✓ Zenitel Audio Presence - crystal clear audio
- ✓ Weatherproof housing - IP66
- ✓ 10W Class D, built-in amplifier
- ✓ Max output 103 dB SPL (1kHz/1m)
- ✓ Ideal for Micro Zone PA and systems that require a limited number of speakers
- ✓ Each speaker is individually addressable and monitored
- ✓ ONVIF Compatible
- ✓ Ideal for speakers installed in remote locations, e.g. roads and railways
- ✓ Remote software upgrade and configuration
- ✓ Powered from the IP network cable using Power over Ethernet (PoE)
- ✓ Ideal for Building Security, Infrastructure and Industrial projects



SIP



IC-Edge



ICX-AlphaCom



IP66

Audio



Automatic Volume



HD Voice

Network

Description

The Zenitel Wall-Mount IP Speaker is equipped with a Class D amplifier, powered via PoE, optimises performance for both voice and multimedia signals. Capable of delivering up to 103 dB SPL peak (1 kHz at 1m) and 99 dB SPL (1m) for continuous signals, it provides clear and reliable audio. This wall-mounted speaker is ideal for indoor environments that require robust sound output while maintaining a focus on aesthetics.

The integrated speaker-as-microphone technology enables two-way communication, ambient listening, automatic volume control, and more – all through the speaker.

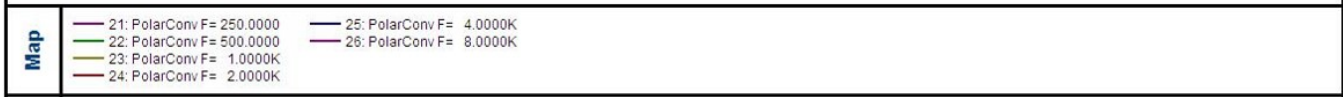
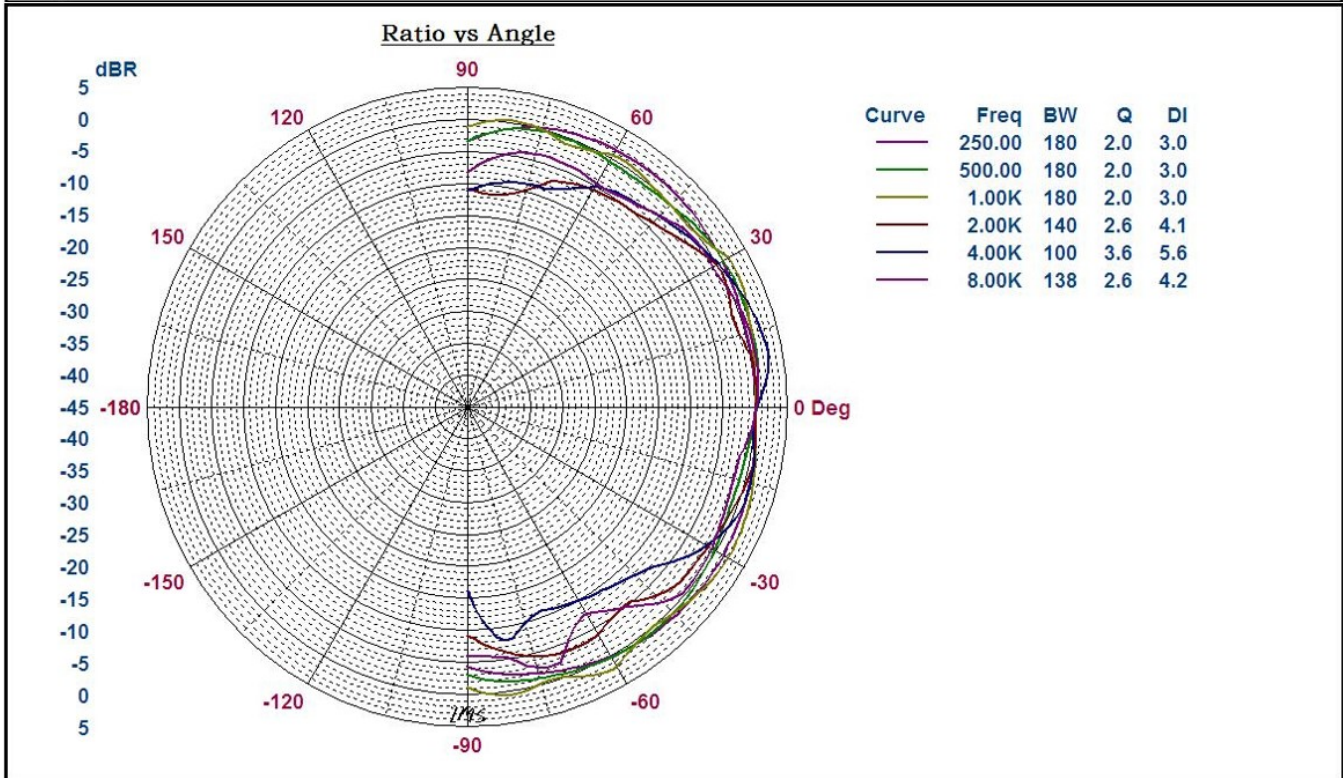
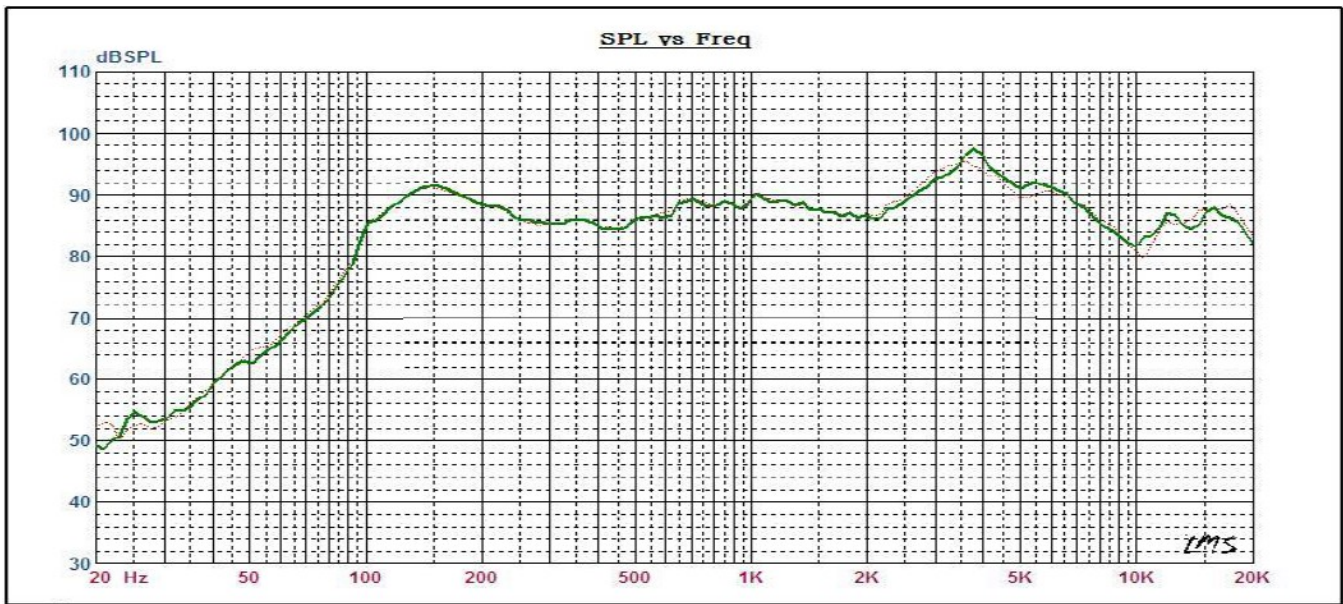
With IP technology, the system allows each speaker to be individually monitored and managed. By incorporating the amplifier directly into the speaker, the need for a central amplifier unit and traditional speaker loops is eliminated. This design makes the system highly scalable, simplifying the addition of more speakers.

Even without conventional speaker loops, speakers can be organised into zones, which can now extend across networks or even over the Internet.

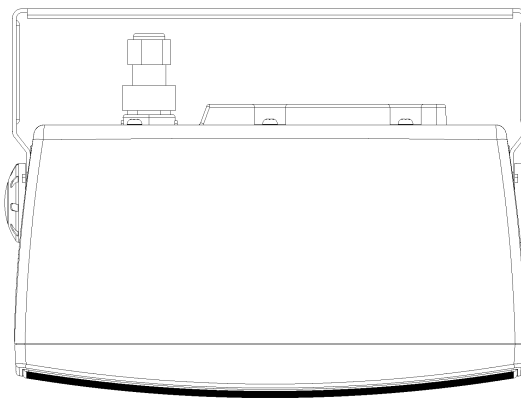
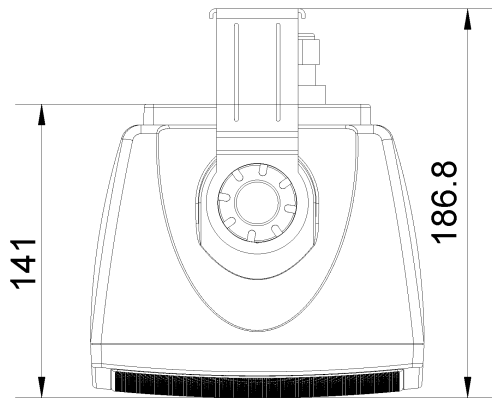
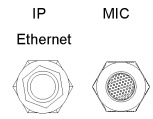
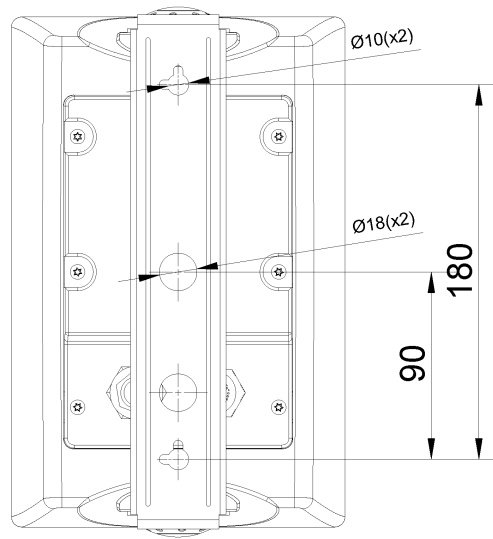
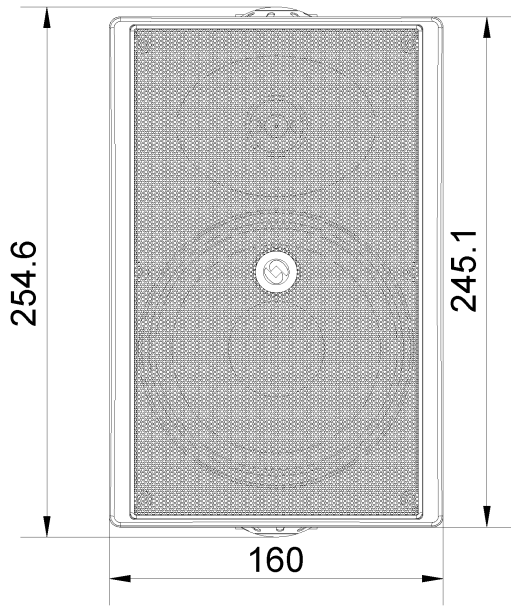
To ensure maximum reliability, the speaker includes advanced supervision features. It is self-monitoring, capable of detecting faults in the network or speaker electronics, and reports status updates to the central unit and third-party management systems via SNMP or Syslog.

The speaker is auto-discoverable and can receive messages or enable talkback functionality directly with a VMS using ONVIF.

With a built-in web interface for status monitoring, control, and upgrades, the speaker is easy to install and maintain. Additionally, broadcasts can be logged, and detailed reports can be generated for review.



Technical Dimensions



Specifications

GENERAL

Codecs	G.711, G.722
Frequency range, G.722 Codec	200 Hz – 7000 Hz
Frequency range (speaker driver)	90 Hz - 20KHz (\pm 20%)
Max continuous SPL (6dB crest factor)	99 dBA
Max SPL @ 1kHz/1m	103 dBA
Output Power (Continuous/Peak)	7.5W/30W
IP Rating	IP66+67
Dimensions (W x H x D)	160 x 255 x 189 mm
Weight	2,1 kg
Mounting	Aluminium, U Shaped Bracket, Painted RAL9010
Material / Color (Enclosure)	ABS 765A, White RAL 9010
Material / Color (Grille)	Coated aluminum, White RAL 9010
Connection Cable Size	Ø6-7 mm
Boxed Dimensions (WxHxD)	TBC
Boxed Weight	2.31 kg

NETWORKING AND PROTOCOLS

Protocols	IPv4 (with DiffServ), SIP, TCP, UDP, HTTPS, TFTP, RTP, DHCP, SNMP, ONVIF, CCoIP®, NTP
LAN protocols	Power over Ethernet (IEEE 802.3 a-f) Network Access Control (IEEE 802.1x)
Management and operation	HTTP/HTTPS (Web configuration) DHCP and static IP + IC-EDGE. Remote automatic software upgrade. Centralized monitoring
Advanced supervision functions	E.g. network test, tone test, status reports
SIP support	RFC 3261 (SIP base standard), RFC 3515 (SIP refer), RFC 2976 (SIP info)
DTMF support	RFC 2833, 2976 (SIP info)

HARDWARE

Ethernet connector	1 x RJ 45
All other connectors	Tool less, spring loaded, vibration proof terminals
General inputs and outputs	1x GPIO; 1x mic/line input
Output	12mA as LED drivers
Change-over relay (NO+COM)	48V nominal, max. 100VDC, 70VAC
Power options	PoE
PoE (power over Ethernet)	IEEE 802.3af standard, Class 3 (6.49W to 12.95 W)
Power consumption	Idle 0.7W, max 12W (dependent upon output volume)
Secondary speaker line out	8 Ohm

ENVIRONMENT AND COMPLIANCES

Operating temperature range	-40° to 70° C / -40° to 158 ° F
Storage temperature range	-40° to 70° C / -40° to 158 ° F
Relative humidity	< 95% not condensing
EMC	CE and FCC Part 15

OTHER SPECIFICATIONS

System boot time	Under 10 seconds
IP address information	Speaks IP address after system boot (requires connected loudspeaker)
DIN-rail clips	Wago 209 (included)
Country of manufacture	Norway
Warranty	2 Years standard warranty, extendible up to total of 5 years (additional fee)

Accessories



EMCG-1

Microphone for Network
Loudspeakers